

# 60" ANTHEA DOUBLE ACRYLIC ROLL TOP TUB

Cat. No.  
ADTR60



L: 60"  
W: 30"  
H: 24-1/2" (from floor)  
18" (from bottom of tub)

Water Depth: 11-1/2" to OF

**The following is recommended for ADTR60 tubs**

- Tub wall-mounted faucets: #4022, 4025 or 4035
- Double offset bath supplies: Part# 5576
- Leg tub drain: Part# 5599

**Do not use with rigid, freestanding supplies**

Gallon Capacity: 40  
Shipping Weight: 110 lbs.  
Empty Weight: 62 lbs.  
Filled Weight: 396 lbs.

## Features:

- ▶ Inside finish is either white or bisque to match outside color
- ▶ Pre-drilled overflow hole
- ▶ 3-3/8" centers in tub wall
- ▶ Smooth acrylic surface inside and out
- ▶ Cast aluminum ball and claw feet
- ▶ Tubs ship with feet attached and leveled
- ▶ Tubs thoroughly inspected before shipment

## Tub Colors

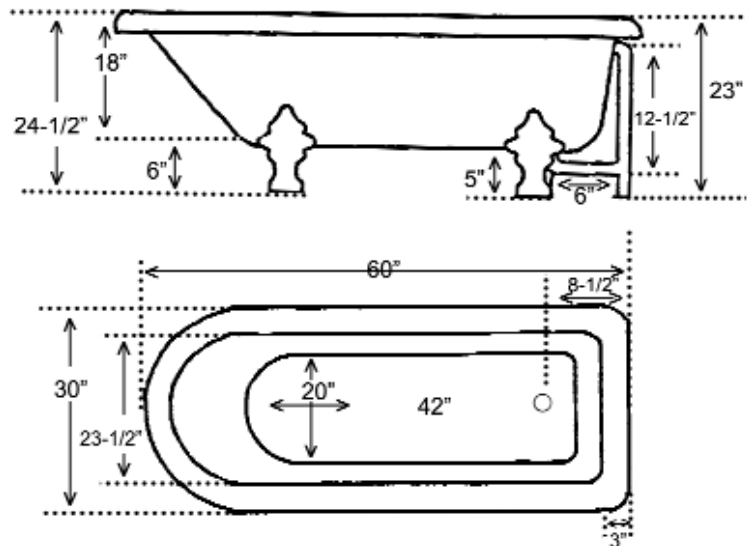
WH White BQ Bisque



## Foot Finishes

BQ	Bisque	BN	Brushed Nickel
BL	Black	ORB	Oil Rubbed Bronze
PB	Polished Brass	PN	Polished Nickel
CP	Polished Chrome	WH	White

**Custom Colors Available** (inside of tub is always white enamel):  
Painted bathtubs are considered "special order" and are not returnable  
\$160 Bisque or Black \$250 Designer Color



Dimensions are nominal and specifications subject to change without notice.

# CODE RECTANGULAR SHOWER UNIT

Cat. No.  
4198



## Features:

- ▶ Rectangular shower rod is  $\frac{3}{4}$ " solid brass tubing
- ▶ Code spout is 4" above handles
- ▶  $3\frac{3}{8}$ " Centers for tub wall mount installation
- ▶ Compression stems
- ▶ Flow rate is 4 GPM
- ▶ Metal lever handles
- ▶ Polished Chrome and Polished Brass have plastic showerhead
- ▶ Brushed Nickel, Polished Nickel and Oil Rubbed Bronze have a metal showerhead
- ▶ Includes ceiling and wall support assemblies
- ▶ Supports adjustable by cutting
- ▶ Available with 48" (#4198-48) or 54" (#4198-54) shower rod
- ▶ Finish varies by size

## Finishes:

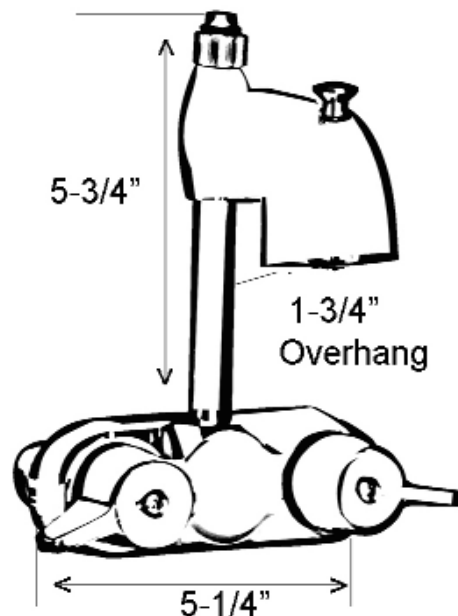
**CP** Polished Chrome  
**BN** Brushed Nickel  
**PB** Polished Brass  
**PN** Polished Nickel  
**ORB** Oil Rubbed Bronze

SIZE	FINISH
48" x 24"	CP, BN, ORB, PB, PN
54" x 24"	PB, CP

### Shower Rod:

L: 48"                      D: 24"  
 L: 54"                      D: 24"

Riser Height:                      56"  
 Wall Support:                      10"  
 Ceiling Support:                      30"  
 Spout Over-hang:                      1 $\frac{3}{4}$ "  
 Faucet Body Width:                      5 $\frac{1}{2}$ "



Dimensions are nominal and may vary. Dimensions and specifications subject to change without notice.

# DOUBLE OFFSET BATH SUPPLIES

Cat.No.  
5576



H: 24"

OD: 1/2"

## Features:

- ▶ For use with faucets mounted to the tub wall
- ▶ No Stops
- ▶ 1/2" Compression inlet
- ▶ 3/4" Compression outlet
- ▶ 0.500" Outer diameter
- ▶ 0.440" Inner diameter
- ▶ 0.030" Thickness of the wall
- ▶ IAPMO approved
- ▶ Available in 5 finishes

### Compliance Certification

Meets or exceeds the following specifications: ASME-A112 (and 19.6M) for Vitreous china fixtures. ASME 112.19.9M for fire clay fixtures.

## Finishes:

**CP** Polished Chrome  
**PB** Polished Brass  
**ORB** Oil Rubbed Bronze

**PN** Polished Nickel  
**BN** Brushed Nickel



**Use on concrete floors requires special installation. We recommend using a plumbing professional.**

Dimensions and specifications subject to change without notice.

# LEG TUB DRAIN

Cat. No.  
5599



Escutcheon Height: 1-1/4"

## Features:

- ▶ Twist-and-lift stopper
- ▶ Includes deep escutcheon
- ▶ Height adjustable 15"-18"
- ▶ Depth adjustable 12"-14"
- ▶ Includes deep escutcheon
- ▶ IAPMO approved
- ▶ Available in 5 Finishes

## Finishes:

- CP** Polished Chrome
- BP** Polished Brass
- SN** Brushed Nickel
- PN** Polished Nickel
- ORB** Oil Rubbed Bronze

## #5599 Leg Tub Drain



Dimensions and specifications subject to change without notice.